

FIG. 4A

- 68 -
vedl retro, tournez s.v.p., please turn over

FIG. 44 - AUTOMATIC THREE LENS TURRET

0027a	Spiral spring	8V-8206	Spacer
00751	Microswitch	8V-8207	Disc with spindles
00778	Microswitch with lever	8V-8211	Lever with rod
8V-662	62.5mm dia. lens holder	8V-8215	Collar screw
8V-663	Lens holder adjusting screw	8V-8217	Collar screw
8V-664	70.6mm dia. lens holder		
8V-665	Lens holder adjusting block		
8V-669	Lens holder eccentric spindle		
8V-676	Turret locking lever		
8V-679	Lever spring		
8V-680	Spring loading nut		
8V-8100	Automatic three-lens turret assembly		
8V-8104	Manual focussing nut		
8V-8105	Turret rotation crown gear		
8V-8108	Turret locking notch		
8V-8110	Turret support plate		
8V-8116	Motor EE 24/80-1350 (18-7293)		
8V-8118	19 tooth pinion		
8V-8119	114 tooth gear with 20 tooth pinion		
8V-8121	Bearing		
8V-8122	Gear spindle		
8V-8123	Gear shaft		
8V-8124	120 tooth gear		
8V-8134	Microswitch control plate		
8V-8136	Set of washers (3 pieces)		
8V-8139	30 tooth focussing control gear		
8V-8140	Clutch adjusting sleeve		
8V-8142	Turret stop lever		
8V-8143	Microswitch control rod		
8V-8145	42 tooth turret rotation gear		
8V-8147	Focussing control lever assembly		
8V-8152	Microswitch adjusting cam		
8V-8153	Solenoid assembly		
8V-8160	Manual release control rod		
8V-8161	Manual release spindle		
8V-8162	Turret stop control lever		
8V-8163	Anamorphic lens stop lever with rod		
8V-8172	Flate spring		
8V-8173	Anamorphic lens support plate		
8V-8174	Plate locking spindle		
8V-8175	Plate spindle complete with spacer		
8V-8178	Motor KDV 42-Z650 -Ratio 100:1-25		
8V-8183	40 tooth bevel gear		
8V-8184	20 tooth bevel pinion		
8V-8188	Clutch adjusting sleeve		
8V-8189	Anamorphic lens holder		
8V-8194	Focussing knob assembly		
8V-8200	Triple aperture plate control linkage		
8V-8201	Cam (specify if for V8. or V9)		
8V-8203	Disc shaft		

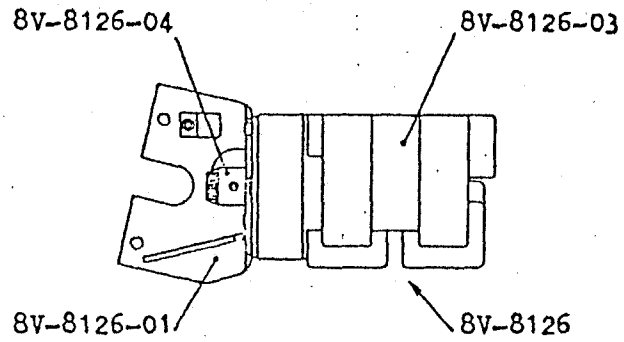


FIG. 44/1

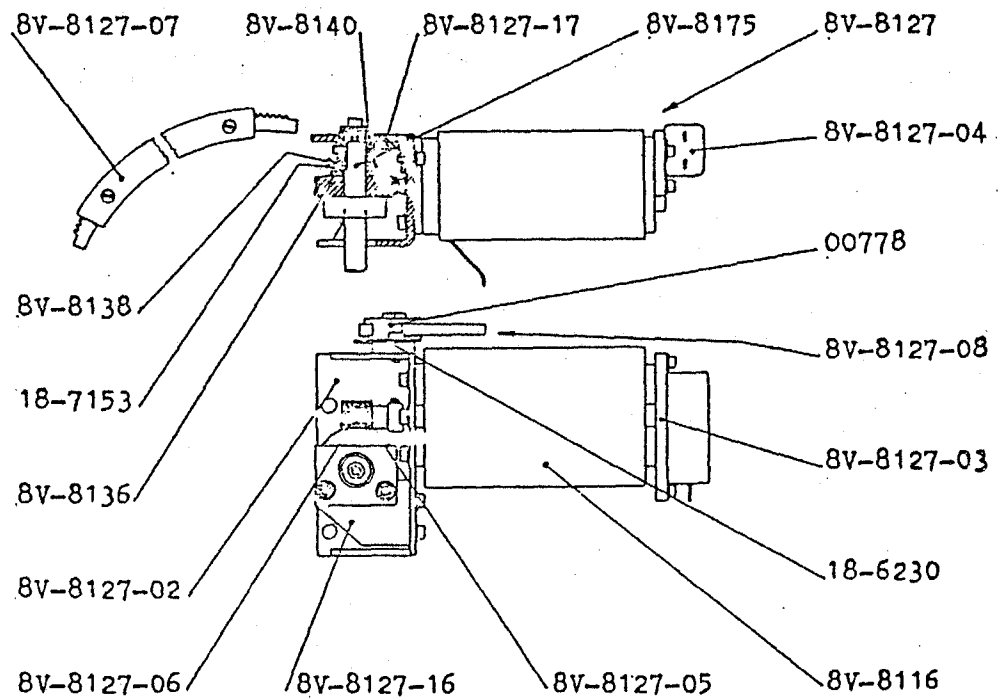


FIG. 44/2

vedi retro, tournez s.v.p., please turn over
- 68 bis -

FIG. 44/1 - MODIFICATION OF AUTOMATIC THREE-LENS TURRET
for VICTORIA 8 from serial No. 85069
for VICTORIA 9 from serial No. 9939
for VICTORIA 5 from serial No. 3555

8V-8126 - Plate complete with motor and pinion
8V-8126-01 - Plate
8V-8126-03 - Motor and gear box with pinion
8V-8126-04 - Pinion

FIG. 44/2 - MODIFICATION OF AUTOMATIC THREE LENS TURRET
for VICTORIA 8 from serial No. 85231
for VICTORIA 9 from serial No. 91009
for VICTORIA 5 from serial No. 51122

00778 - Microswitch
8V-8116 - Motor type EE 24/80-1350 (18-7293)
8V-8127 - Plate with motor, clutch and No. 8V-8127-07 cam
8V-8127-02 - Motor bracket
8V-8127-03 - Capacitor mounting plate
8V-8127-04 - Capacitor 2 uF 750V
8V-8127-05 - Worm
8V-8127-06 - Gear
8V-8127-07 - Microswitch control cam
8V-8127-08 - Microswitch assembly
8V-8127-16 - Bracket
8V-8127-17 - Shaft guiding plate
8V-8136 - Clutch washer
8V-8138 - Spring washer
8V-8140 - Clutch adjusting sleeve
8V-8175 - Plate spindle complete with spacer
18-6230 - Insulating plate
18-7153 - Clutch washer

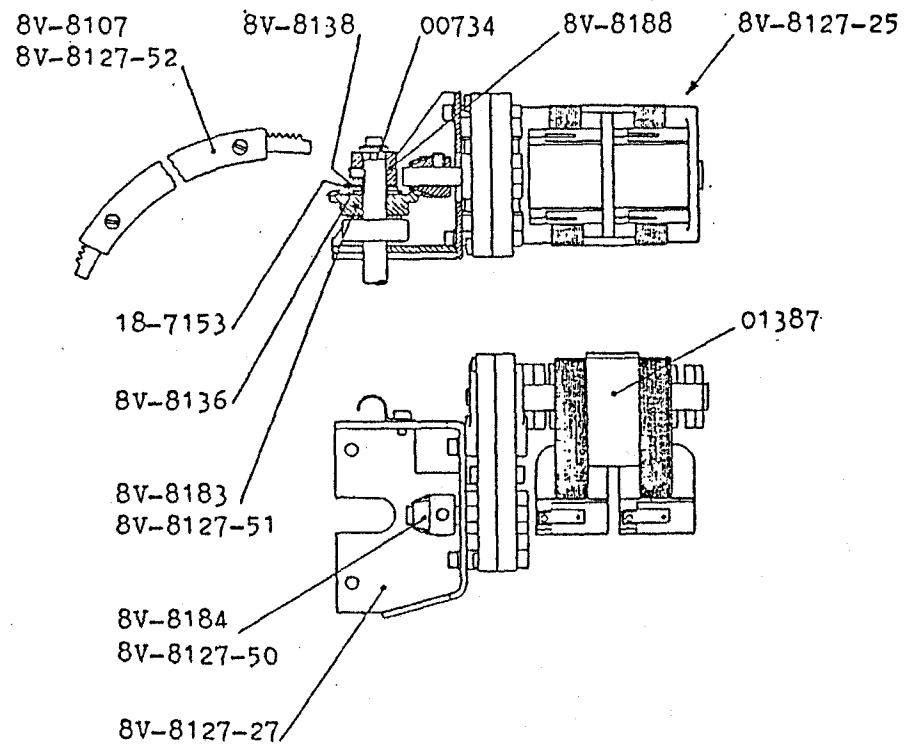


FIG. 44/3

vedi retro, tournez s.v.p., please turn over

FIG. 44/3 - VARIANTE A TOURELLE AUTOMATICA TRIPLA
per V.8 dal N° 85333 - V.9 dal N° 91136 - V.5 dal N° 51570

00734 - Rosetta
 01387 - Motoriduttore tipo 82 613 0
 8V-8107 - Camma comando microinterruttore per 50 Hz
 8V-8127-25 - Motoriduttore completo di camma (specificare periodi)
 8V-8127-27 - Supporto per microinterruttore
 8V-8127-50 - Pignone conico per 60 Hz
 8V-8127-51 - Ruota dentata conica per 60 Hz
 8V-8127-52 - Camma comando microinterruttore per 60 Hz
 8V-8136 - Rosetta frizione
 8V-8138 - Rosetta elastica
 8V-8183 - Ruota dentata conica per 50 Hz
 8V-8184 - Pignone conico per 50 Hz
 8V-8188 - Boccola regolazione frizione
 18-7153 - Rondella pressione frizione

FIG. 44/3 - VARIANTE A TOURELLE AUTOMATIQUE TRIPLA
pour V.8 du N° 85333 - V.9 du N° 91136 - V.5 du N° 51570

00734 - Rondelle
 01387 - Moto-réducteur type 82 613 0
 8V-8107 - Came commande micro-interrupteur pour 50 Hz
 8V-8127-25 - Moto-réducteur complet de came (préciser périodes)
 8V-8127-27 - Support pour micro-interrupteur
 8V-8127-50 - Pignon conique pour 60 Hz
 8V-8127-51 - Roue dentée conique pour 60 Hz
 8V-8127-52 - Came commande micro-interrupteur pour 60 Hz
 8V-8136 - Rondelle friction
 8V-8138 - Rondelle élastique
 8V-8183 - Roue dentée conique pour 50 Hz
 8V-8184 - Pignon conique pour 50 Hz
 8V-8188 - Boucle réglage friction
 18-7153 - Rondelle pression friction

FIG. 44/3 - MODIFICATION OF AUTO THREE-LENS TURRET
for V.8 from S/N 85333 - V.9 from S/N 91136 - V.5 from S/N 51570

00734 - Washer
 01387 - Motor/gear box type 82 613 0
 8V-8107 - Microswitch control cam - 50 Hz
 8V-8127-25 - Motor/gear box with cam (frequency to be advised)
 8V-8127-27 - Microswitch mount
 8V-8127-50 - Bevel pinion - 60 Hz
 8V-8127-51 - Bevel toothed gear - 60 Hz
 8V-8127-52 - Microswitch control cam - 60 Hz
 8V-8136 - Clutch washer
 8V-8138 - Spring washer
 8V-8183 - Bevel toothed gear - 50 Hz
 8V-8184 - Bevel pinion - 50 Hz
 8V-8188 - Clutch adjusting-sleeve
 18-7153 - Clutch washer